



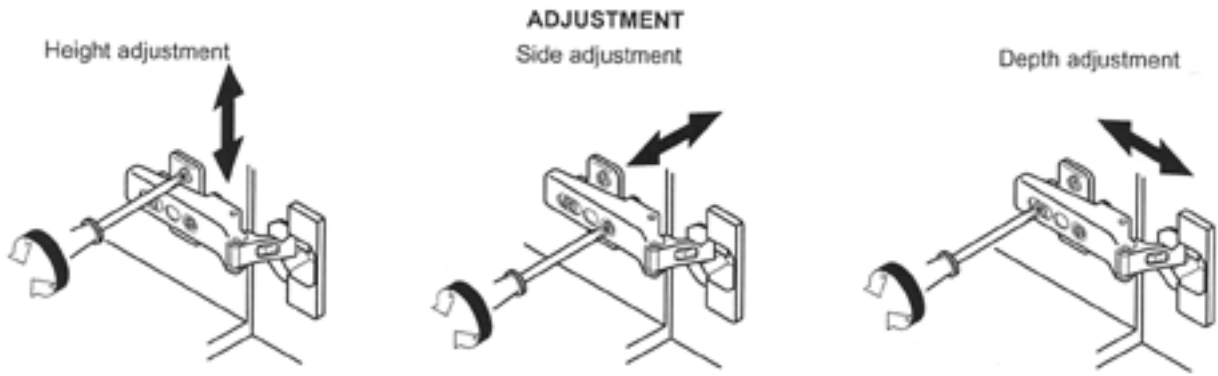
## **Planning and Installation : Guide 4**

### **Accessory and General Fitting**

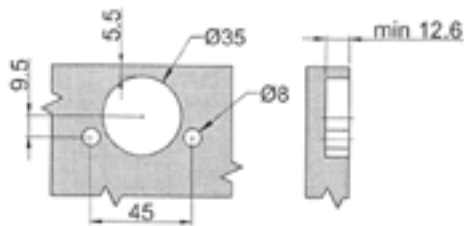
#### Page Index

- |        |   |
|--------|---|
| Page 2 | Inserta Hinge<br>'L' Shaped Corner Door Arrangement |
| Page 3 | Titanium Drawer Adjustment                          |
| Page 4 | Glass Feature Shelves                               |
| Page 5 | Aluminium Sub-frame System<br>300 Pull Out Basket   |
| Page 6 | Void Corner Filler<br>135 Degree Base Corner Filler |
| Page 7 | Classic Island Pot Rack and Island Planter          |

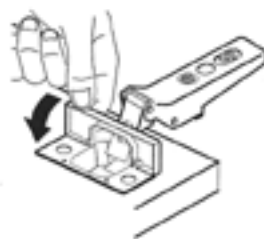
## INSERTA HINGE



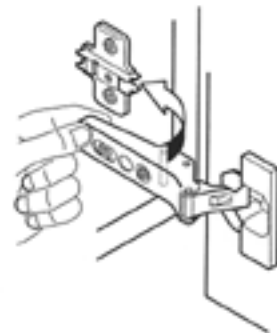
### DRILLING SPECIFICATION



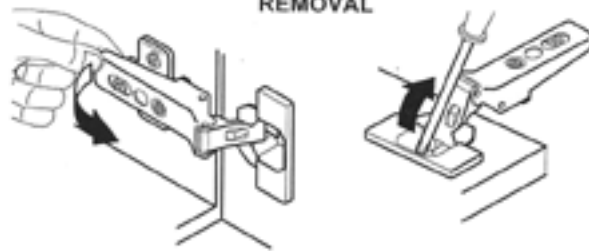
### ASSEMBLY



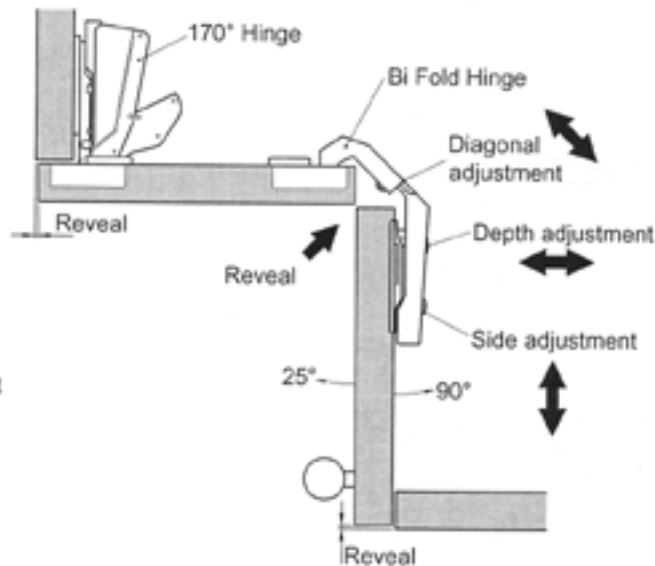
### CLIP ON



### REMOVAL



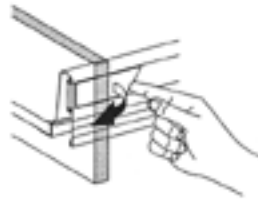
## 'L' SHAPED CORNER DOOR & HINGE ARRANGEMENT



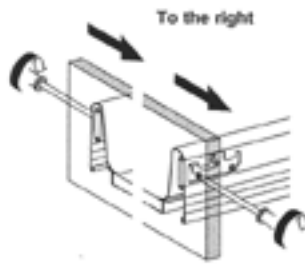
NB 'L' Corner door sizes  
276 wide corner wall unit  
316 wide corner base unit

## TITANIUM DRAWER ADJUSTMENT

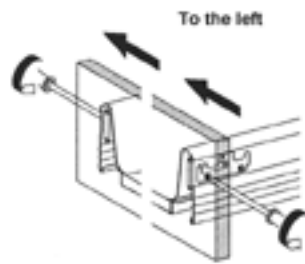
### REMOVE COVER PLATE



### SIDE ADJUSTMENT

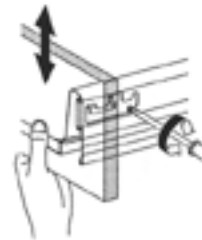


To the right



To the left

### HEIGHT ADJUSTMENT



### DRAWER INSERTION

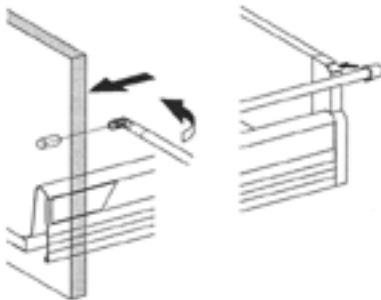


### REMOVAL



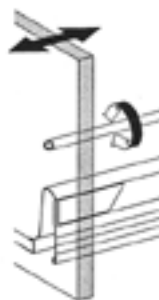
## TITANIUM PAN DRAWER GALLERY ADJUSTMENT

### GALLERY RAIL ASSEMBLY



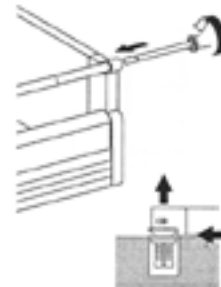
1. Insert gallery into pan drawer front.
2. Swing rail back to line up with drawer.
3. Clip gallery rail to back panel.

### GALLERY RAIL ADJUSTMENT



1. Turn gallery rail in either direction to adjust tilt angle of front.

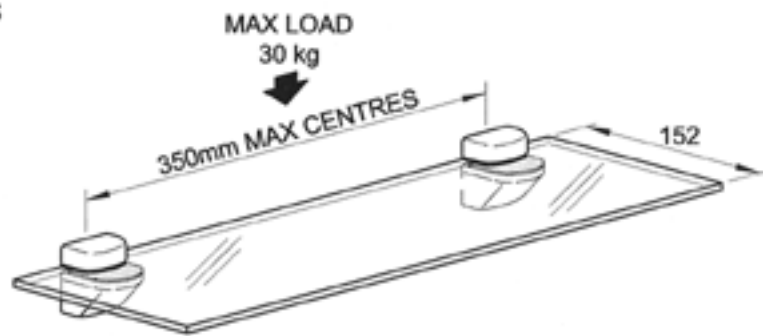
### GALLERY RAIL REMOVAL



1. Detach gallery rail from back panel.
2. Swing gallery rail 90° parallel to front.
3. Pull out dowel from pan drawer front.

### 6mm GLASS FEATURE SHELF

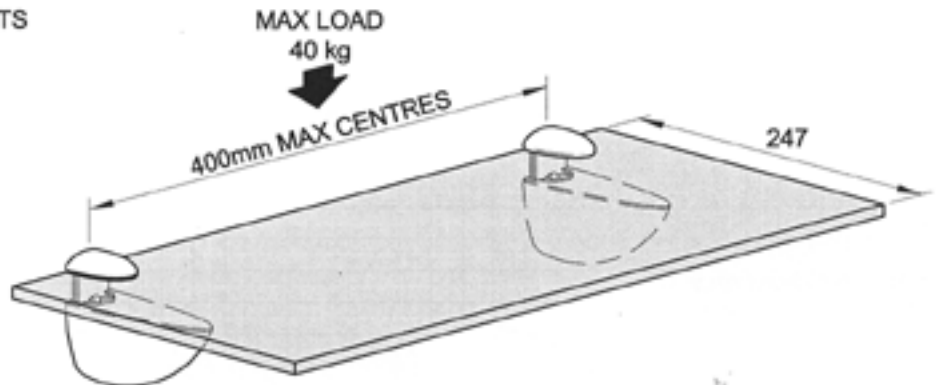
ORDER CODE	WIDTH	BRKTS
AFGLASS 6/40	356	2
AFGLASS 6/60	556	2
AFGLASS 6/70	656	2
AFGLASS 6/80	756	3



Small Glass Shelf Brackets  
to suit  
6mm Glass Shelving 152mm Deep

### 10mm FROSTED GLASS FEATURE SHELF

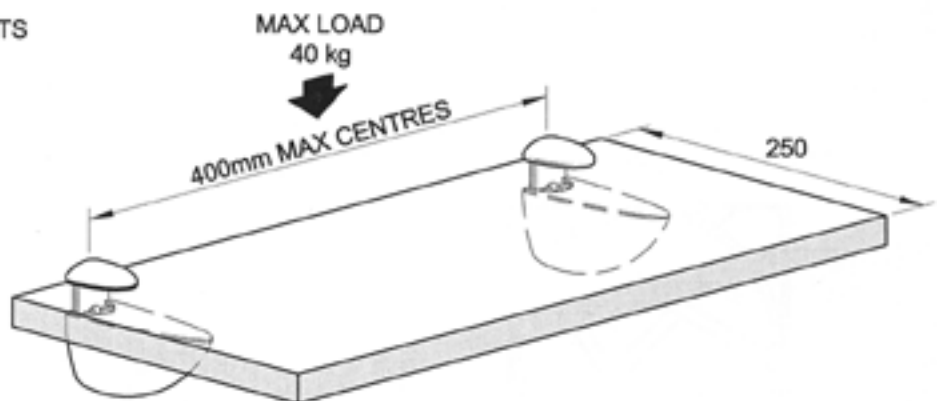
ORDER CODE	WIDTH	BRKTS
AFGLASS 10/40	397	2
AFGLASS 10/60	597	2
AFGLASS 10/70	697	2
AFGLASS 10/80	797	3



Large Shelf Brackets  
to suit  
10mm Glass Shelving 247mm Deep

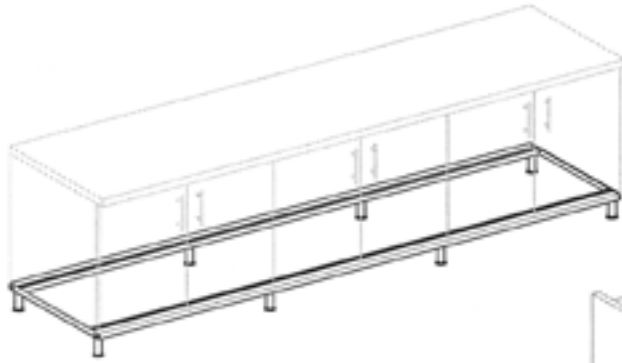
### 19 & 28mm MFC FEATURE SHELVES

ORDER CODE	WIDTH	BRKTS
AMFC/40	400	2
AMFC/45	450	2
AMFC/50	500	2
AMFC/60	600	2
AMFC/80	800	3
AMFC/90	900	3
AMFC/100	1000	3



Large Shelf Brackets  
to suit  
19 or 28mm Shelving

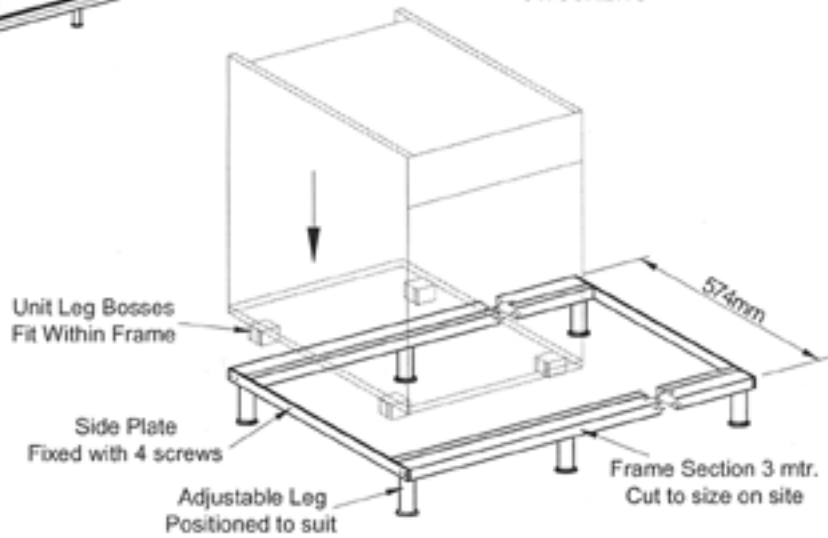
## ALUMINIUM FEATURE SUB-FRAME SYSTEM



ORDER CODE: ASFS

CONSISTS OF:

- 2 x 3 MTR. FRAME SECTION
- 2 x SIDE PLATES
- 8 x ADJUSTABLE LEGS
- 8 x SCREWS



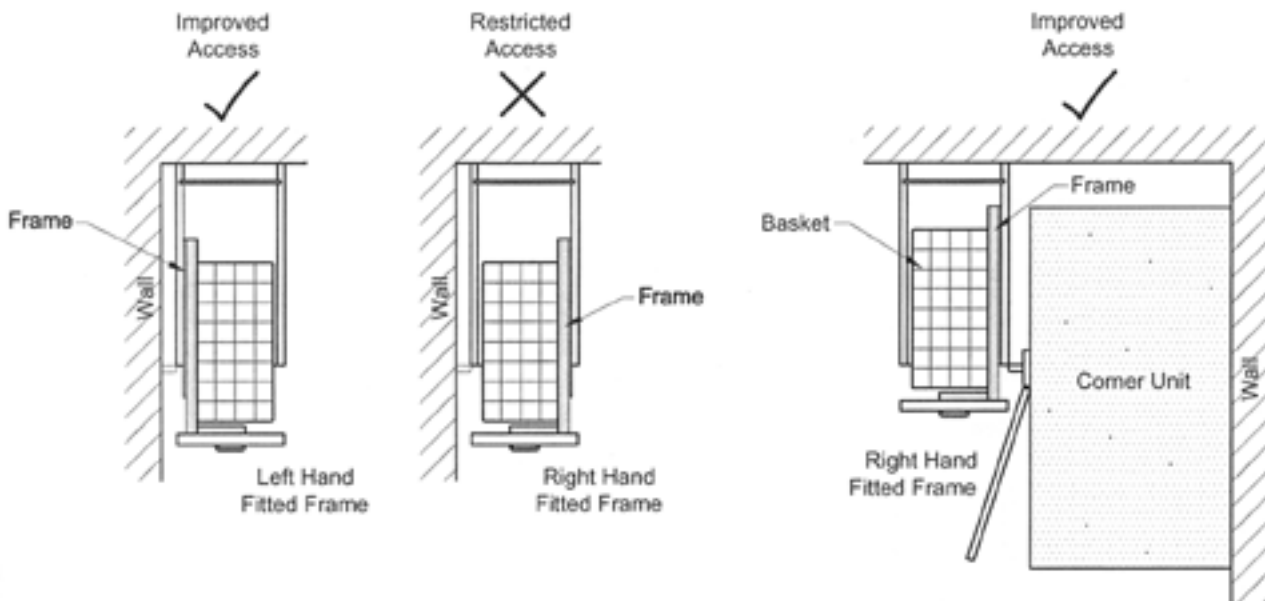
SUITABLE FOR IN-LINE OR PENINSULAR PLANNING USE

## 300 PULL OUT BASKET UNITS

ORDER CODE:

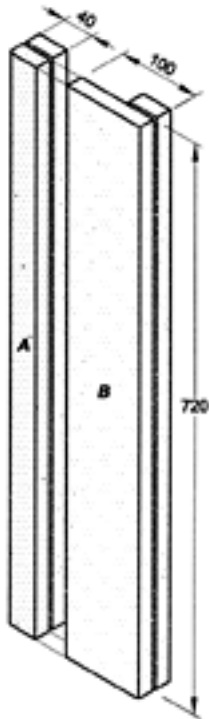
- BPSH 30 L/R BASE PULL OUT
- LP 30/19 L/R PULL OUT LARDER

### PLANNING EXAMPLES

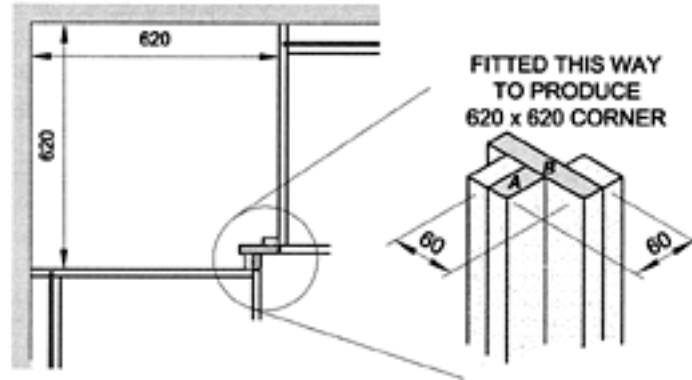


TO PROVIDE IMPROVED ACCESS TO THE WIRE BASKETS IT IS IMPORTANT TO PLAN THE SUPPORT FRAME ON THE APPROPRIATE SIDE. I.E. AS SHOWN ABOVE. PLEASE NOTE IT IS POSSIBLE, IF NECESSARY, TO ALTER THE HANDING ON SITE IF REQUIRED.

## 90° VOID CORNER FILLER



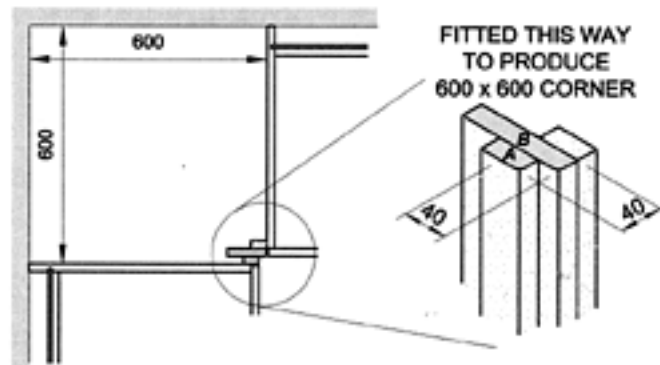
TO ALLOW FOR HANDLE CLEARANCE THE RECOMMENDED VOID CORNER DIMENSIONS ARE 620 x 620



ORDER CODES:  
 90/CFM/720 (MFC)  
 90/CFF/720 (FOIL)  
 90/CFW/720 (VENEER)

FILLER SUPPLIED IN TWO PARTS AS DETAILED  
 'A' = 40mm  
 'B' = 100mm  
 ONLY AVAILABLE 720 HIGH

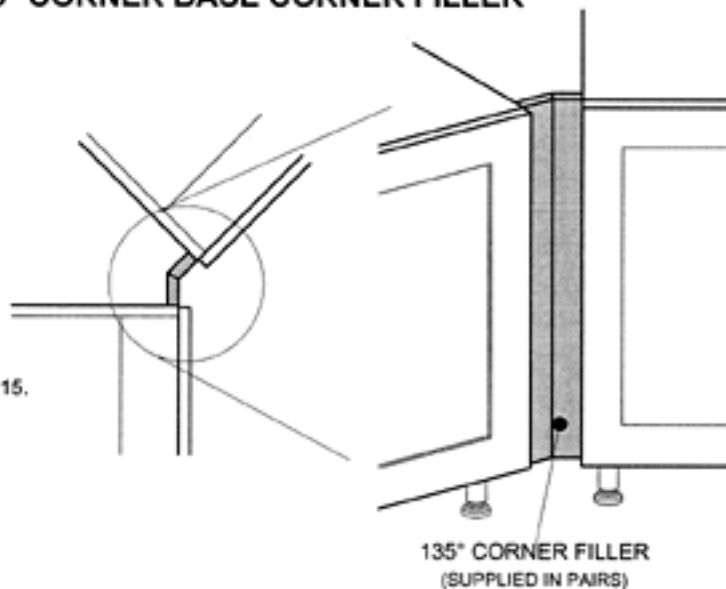
### DIMENSIONS FOR 600 x 600 VOID CORNER



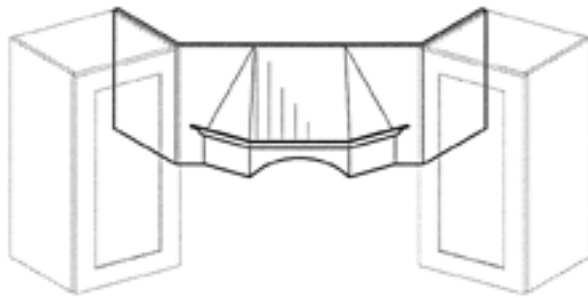
## 135° CORNER BASE CORNER FILLER

ORDER CODES:  
 135/CFM/720 (MFC)  
 135/CFF/720 (FOIL)  
 135/CFW/720 (VENEER)

SEE PLANNING PAGE 12 & 15.



## FEATURE CORNER CANOPIES

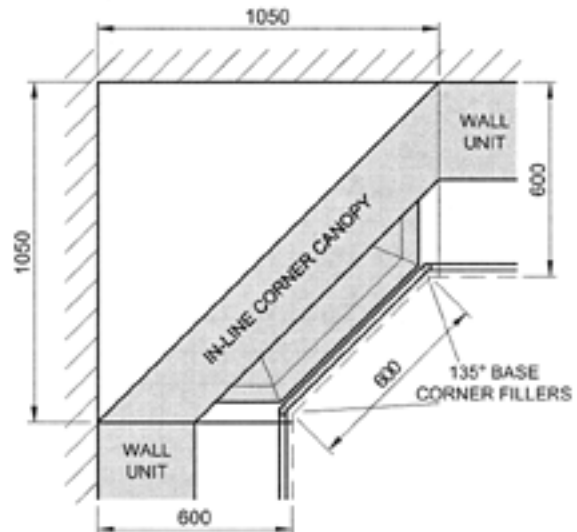


TO SUIT 720 HIGH WALLS

	CODE	WIDTH
T&G' CLASSIC	C/CLAS/CNR 72	1050 x 1050
MODERN	C/MODE/CNR 72PL	1050 x 1050
T&G' VIRGINIA	C/VIRG/CNR 72TG	1050 x 1050

TO SUIT 900 HIGH WALLS

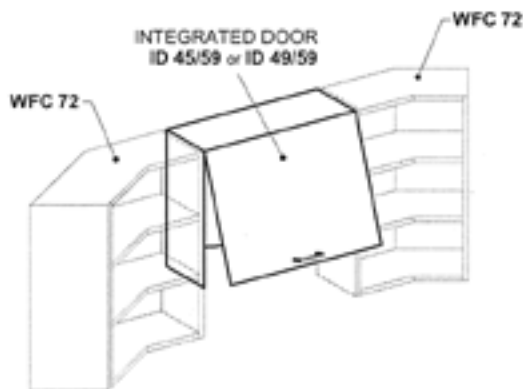
	CODE	WIDTH
T&G' CLASSIC	C/CLAS/CNR 90	1050 x 1050
MODERN	C/MODE/CNR 90PL	1050 x 1050
T&G' VIRGINIA	C/VIRG/CNR 90TG	1050 x 1050



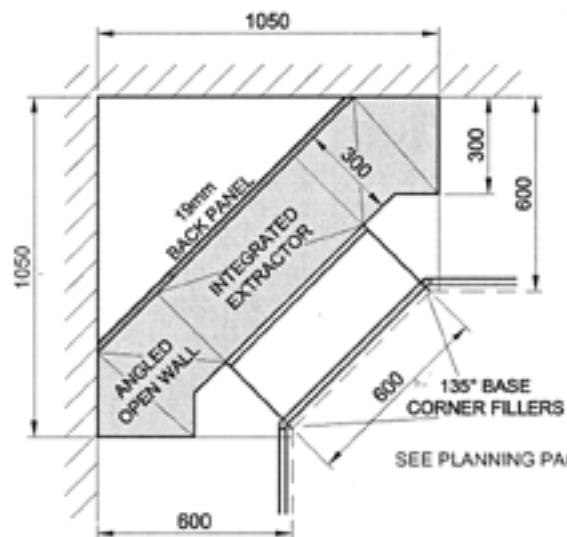
135° CANOPY ARRANGEMENT

## 135° ANGLE OPEN WALL UNITS WITH INTEGRATED EXTRACTOR

720 HIGH WALL UNIT COMBINATION ILLUSTRATED

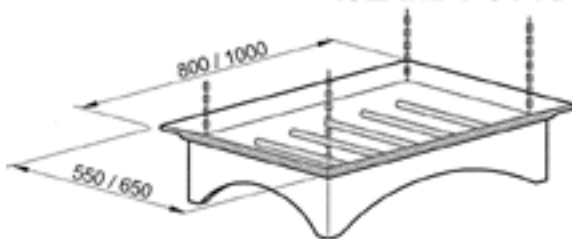


900 Wall Unit Combination  
Unit WFC 90 Door ID 63/59



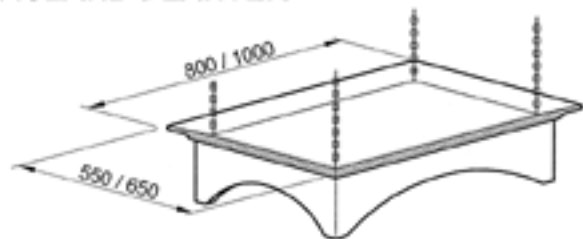
SEE PLANNING PAGE 11.

## CLASSIC ISLAND POT RACK & ISLAND PLANTER



'CLASSIC' ISLAND POT RACK  
CODE WIDTH x DEPTH

CHROME RAILS/CHAIN		
C/CLAS LHA80CF	800 x 550	
C/CLAS LHA80CV	800 x 550	
C/CLAS LHA100CF	1000 x 650	
C/CLAS LHA100CV	1000 x 650	
BRASS RAILS/CHAIN		
C/CLAS LHA80BF	800 x 550	
C/CLAS LHA80BV	800 x 550	
C/CLAS LHA100BF	1000 x 650	
C/CLAS LHA100BV	1000 x 650	



'CLASSIC' ISLAND PLANTER  
CODE WIDTH x DEPTH

CHROME CHAIN		
C/CLAS LPL80CF	800 x 550	
C/CLAS LPL80CV	800 x 550	
C/CLAS LPL100CF	1000 x 650	
C/CLAS LPL100CV	1000 x 650	
BRASS CHAIN		
C/CLAS LPL80BF	800 x 550	
C/CLAS LPL80BV	800 x 550	
C/CLAS LPL100BF	1000 x 650	
C/CLAS LPL100BV	1000 x 650	